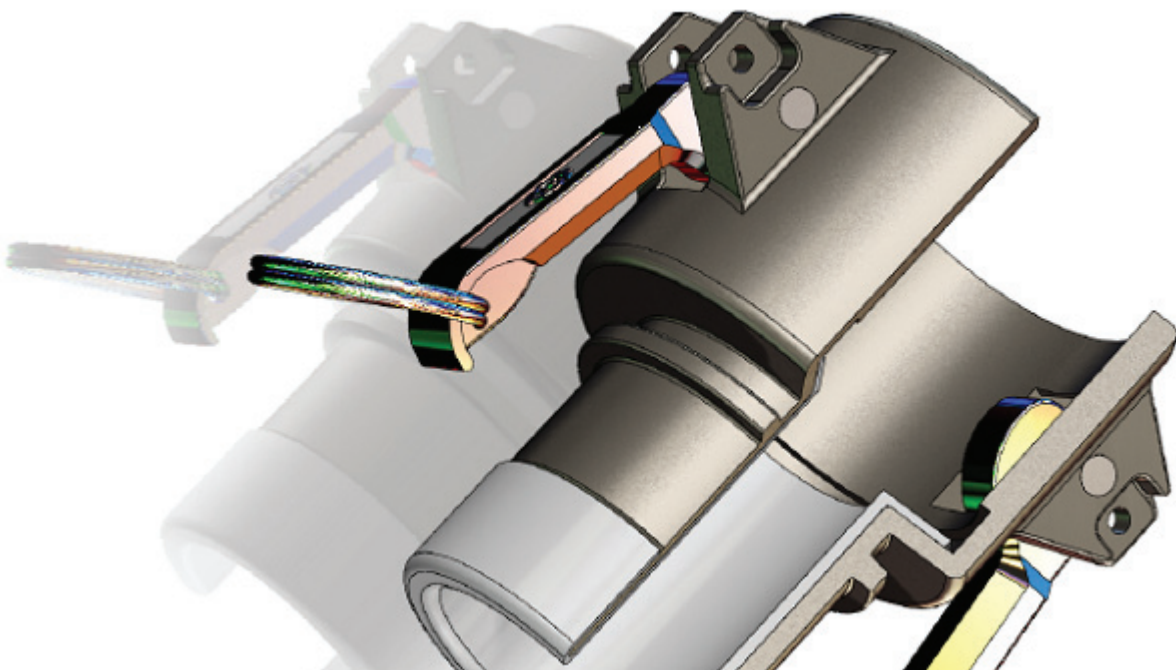




CHEMALINE 2000



LINING SOLUTIONS for industrial hose couplings

Cam & groove couplings
TW couplings
Guillemin couplings
Food couplings
Flange couplings
Screw hose couplings
Nipples

...



CHEMALINE 2000



- Superior thermal properties
- Excellent chemical resistant
- Low permeation
- High purity surface finish
- Low deformation
- Excellent cleanability
- FDA compliant

LINING SOLUTIONS for industrial hose couplings

Discover LMC's new range of industrial hose couplings provided with CHEMALINE 2000 technology. The result is a coupling solution provided with a lining technology resistant to almost all aggressive media used in the chemical, pharmaceutical, food- and beverage and semiconductor industry.

Hose couplings provided with CHEMALINE 2000 technology have extremely smooth, void-free surfaces that prevent contaminants from adhering and makes cleaning processes easier.

Discover the wide possibilities of LMC's CHEMALINE 2000 inside.

CHEMALINE 2000

IMPROVED PTFE LINING

For highly corrosive chemicals LMC-Couplings offers his customers, industrial hose couplings with improved PTFE lining. This unique lining process is totally handled at LMC's production facilities. Where conventional materials like brass, bronze, aluminum and even stainless steel are sometimes unsatisfactory in chemical resistance and/or working pressure, stainless steel couplings with CHEMALINE 2000 are often the perfect technical solution. Today we improved our PTFE lining process by using a NEW type of PTFE. Due to this improved PTFE the application possibilities of CHEMALINE 2000 are wider than conventional PTFE.

1. Substantially lower deformation under load
2. Lower permeation due to denser polymer structure and fewer voids
3. FDA compliant
4. Smoother surface finishes and excellent cleanability
5. Higher transparency
6. Higher barrier properties due to lower permeability



PFA & PTFE

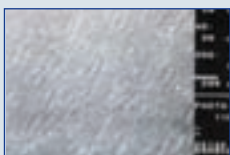
The improved PTFE incorporates a perfluoropropyl vinyl ether modifier as used in the melt-processable fluorothermoplastic, PFA. Because the modifier content for the improved PTFE is much lower (less than 1%) than PFA, the molecular weight is reduced by one-fifth to that of conventional PTFE.

By using the same modifier, the same property profile of PFA is used without losing the typical properties of conventional PTFE.

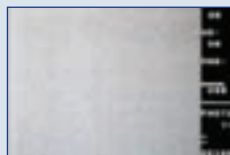
Due to its lower permeability of the improved PTFE we guarantee a better corrosion resistance than conventional PTFE.

SURFACE ROUGHNESS

In the pharmaceutical and the bio industry the use of hose couplings with a low surface roughness is often required. The difference can clearly be spotted under a microscope at 50 x magnification.




Conventional PTFE



Improved PTFE

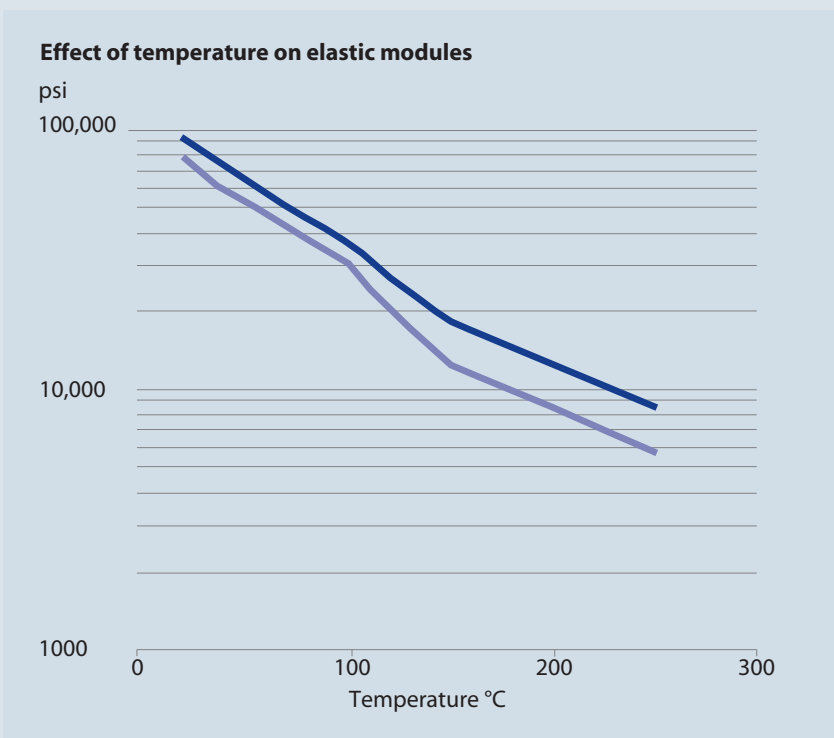


KEY FEATURES

INDUSTRY	FEATURES
CHEMICAL INDUSTRY	<ul style="list-style-type: none"> Exceptional chemical & thermal resistance Low permeability Reduced deformation under load Smooth surfaces High creep resistance
FOOD, BIO-TECH & PHARMACEUTICAL PROCESSING 	<ul style="list-style-type: none"> Excellent smooth surfaces Excellent cleanability FDA compliant
SEMICONDUCTOR MANUFACTURING FEATURES	<ul style="list-style-type: none"> Good weldability Extremely high purity



ELASTIC MODULUS IMPROVEMENT



— Conventional PTFE
 — Improved PTFE

Compared to conventional PTFE, the decline in elastic modulus with increasing temperature is in a lesser extent than the improved PTFE of LMC-Couplings. The advantages becomes even greater at higher temperatures.

CHEMALINE 2000 ATEX

Safe and healthy working conditions are an important issue in today's industrial business.

The EU directives ATEX 137 (directive 1999/92 EG) and ATEX 95 (directive 94/9/EG) describe the kind of equipment and protective systems intended for use in potentially explosive atmospheres like gas, vapor and dust areas.

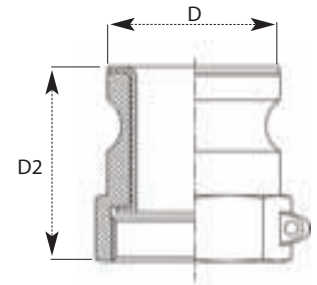
Industrial couplings provided with CHEMALINE 2000-ATEX technology consist of the improved PTFE lining CHEMALINE 2000) but has additional electrical discharging properties. This results in a minimized ignition chance and an increased safety level for each employee.

DELIVERY PROGRAM

Quick couplings		Threaded couplings	Flange couplings
Cam & groove couplings	EN 14420-7	Screw hose couplings EN 14420-5	Flange couplings EN 14420-4
TW couplings	EN 14420-6	Nipples	
Guillemin couplings	EN 14420-8	Food couplings DIN 11851 / SMS 1145	

TYPE A: ADAPTOR FEMALE THREADED WITH THREAD SEAL

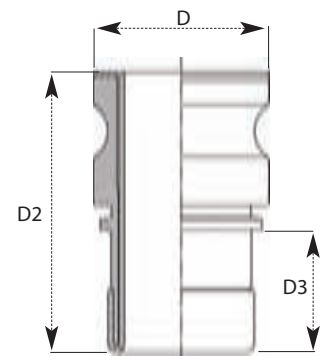
ND	Inch	Thread EN ISO 228-1	Thread seal	D +- 0,1	D 2 min	Reference
20	3/4"	G 3/4	PTFE	32,1	35,4	VLAR019DCHEM2
25	1"	G 1	PTFE	36,7	49,3	VLAR025DCHEM2
32	1.1/4"	G 1.1/4	PTFE	45,5	57,1	VLAR032DCHEM2
40	1.1/2"	G 1.1/2	PTFE	53,4	62,7	VLAR038DCHEM2
50	2"	G 2	PTFE	63,0	71,0	VLAR050DCHEM2
65	2.1/2"	G 2.1/2	PTFE	75,8	75,2	VLAR063DCHEM2
80	3"	G 3	PTFE	91,5	78,8	VLAR075DCHEM2
100	4"	G4	PTFE	119,5	80,3	VLAR100DCHEM2



Coupling standard: EN 14420-7 / DIN 2828
 Female thread: EN ISO 228-1 BSP
 Incorporated thread seal during lining process
 Material coupling: stainless steel AISI 316/1.4401

TYPE E: ADAPTOR WITH SMOOTH HOSE SHANK

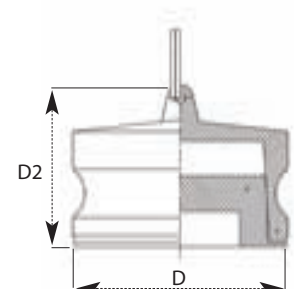
ND	Inch	For hose mm	D +- 0,1	D 2 min	D3 min	Reference
20	3/4"	19	32,1	68,5	34,0	VLER019DCHEM2
25	1"	25	36,7	76,5	34,0	VLER025DCHEM2
32	1.1/4"	32	45,5	83,0	34,0	VLER032DCHEM2
40	1.1/2"	38	53,4	84,5	34,0	VLER038DCHEM2
50	2"	50	63,0	97,5	40,0	VLER050DCHEM2
65	2.1/2"	63	75,8	113,5	52,0	VLER063DCHEM2
80	3"	75	91,5	119,0	56,0	VLER075DCHEM2
100	4"	100	119,5	161,5	80,5	VLER100DCHEM2



Coupling standard: EN 14420-7 / DIN 2828
 Shank standard: EN 14420-2 / DIN 2817
 Assembly: RK safety clamps EN 14420-3/ DIN 2817, FLEXOLINE safety clamps (see chapter D)
 Material coupling: stainless steel AISI 316/1.4401

TYPE DP: MALE DUST PLUG

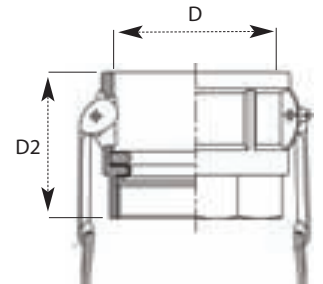
ND	Inch	D +- 0,1	D 2 min	Reference
20	3/4"	32,1	37,0	VLPR019DCHEM2
25	1"	36,7	45,0	VLPR025DCHEM2
32	1.1/4"	45,5	52,0	VLPR032DCHEM2
40	1.1/2"	53,4	53,0	VLPR038DCHEM2
50	2"	63,0	59,0	VLPR050DCHEM2
65	2.1/2"	75,8	62,0	VLPR063DCHEM2
80	3"	91,5	64,0	VLPR075DCHEM2
100	4"	119,5	66,0	VLPR100DCHEM2



Coupling standard: Federal Mil A-A59326-A / EN 14420-7 / DIN 2828
 Material coupling: stainless steel AISI 316/1.4401

TYPE D: COUPLER FEMALE THREADED WITH THREAD SEAL

ND	Inch	Thread EN ISO 228-1	Thread seal	D +- 0,1	D 2 min	Reference
20	3/4"	G 3/4	PTFE	32,4	45,0	VLDR019DCHEM2
25	1"	G 1	PTFE	37,3	53,0	VLDR025DCHEM2
32	1.1/4"	G 1.1/4	PTFE	46,0	59,0	VLDR032DCHEM2
40	1.1/2"	G 1.1/2	PTFE	54,0	65,0	VLDR038DCHEM2
50	2"	G 2	PTFE	63,8	73,0	VLDR050DCHEM2
65	2.1/2"	G 2.1/2	PTFE	76,5	77,5	VLDR063DCHEM2
80	3"	G 3	PTFE	92,2	81,0	VLDR075DCHEM2
100	4"	G4	PTFE	120,3	85,5	VLDR100DCHEM2



Coupling standard: EN 14420-7 / DIN 2828

Female thread: EN ISO 228-1 BSP

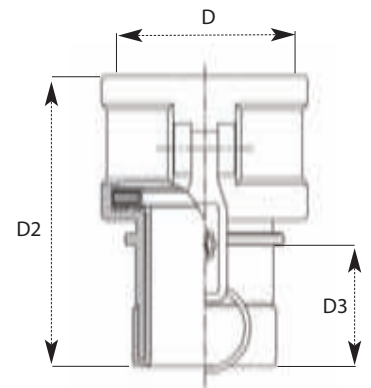
Incorporated thread seal during lining process

Material coupling: stainless steel AISI 316/1.4401

Material coupler seal: open envelope seal PTFE / EPDM type VLXP ...

TYPE C: COUPLER WITH SMOOTH HOSE SHANK

ND	Inch	For hose mm	D +- 0,1	D 2 min	D3 min	Reference
20	3/4"	19	32,4	76,0	34,0	VLCR019DCHEM2
25	1"	25	37,3	82,0	34,0	VLCR025DCHEM2
32	1.1/4"	32	46,0	88,0	34,0	VLCR032DCHEM2
40	1.1/2"	38	54,0	90,0	34,0	VLCR038DCHEM2
50	2"	50	63,8	103,0	40,0	VLCR050DCHEM2
65	2.1/2"	63	76,5	119,5	52,0	VLCR063DCHEM2
80	3"	75	92,2	125,0	56,0	VLCR075DCHEM2
100	4"	100	120,3	169,5	80,5	VLCR100DCHEM2



Coupling standard: EN 14420-7 / DIN 2828

Shank standard: EN 14420-2 / DIN 2817

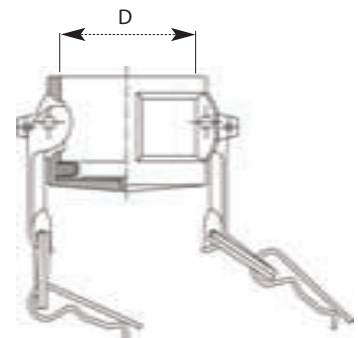
Assembly: RK safety clamps EN 14420-3/ DIN 2817, FLEXOLINE safety clamps (see cat. chapter D)

Material coupling: stainless steel AISI 316/1.4401

Material coupler seal: open envelope seal PTFE / EPDM type VLXP ...

TYPE DC: FEMALE DUST CAP

ND	Inch	D +- 0,1 mm	Reference
20	3/4"	32,4	VLKR019DCHEM2
25	1"	37,3	VLKR025DCHEM2
32	1.1/4"	46,0	VLKR032DCHEM2
40	1.1/2"	54,0	VLKR038DCHEM2
50	2"	63,8	VLKR050DCHEM2
65	2.1/2"	76,5	VLKR063DCHEM2
80	3"	92,2	VLKR075DCHEM2
100	4"	120,3	VLKR100DCHEM2



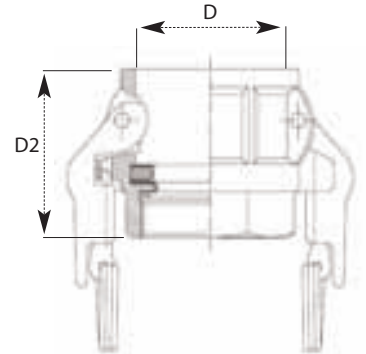
Coupling standard: Federal Mil A-A59326-A

Material coupling: stainless steel AISI 316/1.4401

Material coupler seal: open envelope seal PTFE / EPDM type VLXP ...

TYPE D: COUPLER FEMALE THREADED WITH THREAD SEAL

ND	Inch	Thread EN ISO 228-1	Thread seal	D +- 0,1	D 2 min	Reference
20	3/4"	G 1/2	PTFE	32,0	48,0	VLDR019DSAFCHEM2
25	1"	G 1	PTFE	37,0	57,0	VLDR025DSAFCHEM2
32	1.1/4"	G 1.1/4	PTFE	46,0	63,0	VLDR032DSAFCHEM2
40	1.1/2"	G 1.1/2	PTFE	54,0	68,0	VLDR038DSAFCHEM2
50	2"	G 2	PTFE	64,0	72,0	VLDR050DSAFCHEM2
65	2.1/2"	G 2.1/2	PTFE	77,0	79,0	VLDR063DSAFCHEM2
80	3"	G 3	PTFE	92,2	81,0	VLDR075DSAFCHEM2
100	4"	G 4	PTFE	120,0	84,0	VLDR100DSAFCHEM2



Coupling standard: EN 14420-7 / DIN 2828

Female thread: EN ISO 228-1 BSP

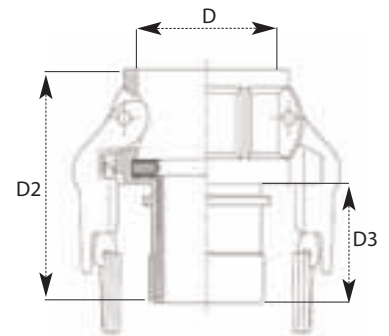
Incorporated thread seal during lining process

Material coupling: stainless steel AISI 316/1.4401

Material coupler seal: open envelope seal PTFE / EPDM type VLXP ...

TYPE C: COUPLER WITH SMOOTH HOSE SHANK

ND	Inch	For hose mm	D +- 0,1	D 2 min	D3 min	Reference
20	3/4"	19	32,0	79,0	34,0	VLCR019DSAFCHEM2
25	1"	25	37,0	86,0	34,0	VLCR025DSAFCHEM2
32	1.1/4"	32	46,0	92,0	34,0	VLCR032DSAFCHEM2
40	1.1/2"	38	54,0	93,0	34,0	VLCR038DSAFCHEM2
50	2"	50	64,0	102,0	40,0	VLCR050DSAFCHEM2
65	2.1/2"	63	77,0	121,0	52,0	VLCR063DSAFCHEM2
80	3"	75	92,2	125,0	56,0	VLCR075DSAFCHEM2
100	4"	100	120,0	168,0	80,5	VLCR100DSAFCHEM2



Coupling standard: EN 14420-7 / DIN 2828

Shank standard: EN 14420-2 / DIN 2817

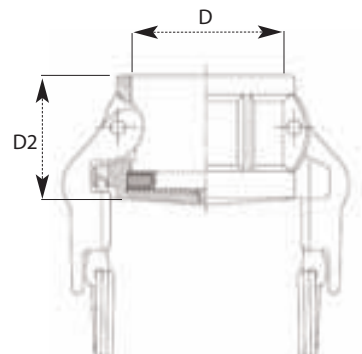
Assembly: RK safety clamps EN 14420-3/ DIN 2817, FLEXOLINE safety clamps (see cat. chapter D)

Material coupling: stainless steel AISI 316/1.4401

Material coupler seal: open envelope seal PTFE / EPDM type VLXP ...

TYPE DC: FEMALE DUST CAP

ND	Inch	D +- 0,1	D 2 min	Reference
20	3/4"	32,0	33,0	VLKR019DSAFCHEM2
25	1"	37,0	40,0	VLKR025DSAFCHEM2
32	1.1/4"	46,0	46,0	VLKR032DSAFCHEM2
40	1.1/2"	54,0	46,0	VLKR038DSAFCHEM2
50	2"	64,0	49,0	VLKR050DSAFCHEM2
65	2.1/2"	77,0	51,0	VLKR063DSAFCHEM2
80	3"	92,2	56,0	VLKR075DSAFCHEM2
100	4"	120,0	56,0	VLKR100DSAFCHEM2



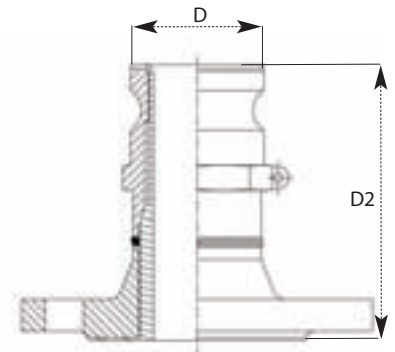
Coupling standard: Federal Mil A-A59326-A / EN 14420-7 / DIN 2828

Material coupling: stainless steel AISI 316/1.4401

Material coupler seal: open envelope seal PTFE / EPDM type VLXP ...

TYPE AF: ADAPTOR WITH FIXED FLANGE IN COMPLIANCE WITH EN/DIN

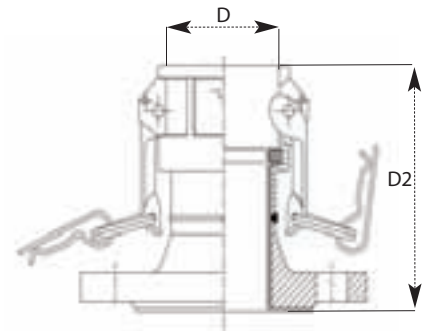
ND	Inch	Welding neck flange	D +- 0,1	D 2 min	Reference
20	3/4"	DIN / EN - PN10/16	32,1	95,0	VLAFDR019DCHEM2
25	1"	DIN / EN - PN10/16	36,7	105,0	VLAFDR025DCHEM2
32	1.1/4"	DIN / EN - PN10/16	45,5	114,0	VLAFDR032DCHEM2
40	1.1/2"	DIN / EN - PN10/16	53,4	119,0	VLAFDR038DCHEM2
50	2"	DIN / EN - PN10/16	63,0	129,0	VLAFDR050DCHEM2
65	2.1/2"	DIN / EN - PN10/16	75,8	133,0	VLAFDR063DCHEM2
80	3"	DIN / EN - PN10/16	91,5	144,0	VLAFDR075DCHEM2
100	4"	DIN / EN - PN10/16	119,5	155,0	VLAFDR100DCHEM2



Coupling standard: EN 14420-7 / DIN 2828
 Flange standard: EN 1092-1 / 11 B1; DIN 2633 form C PN10/16
 Incorporated flange gasket during the lining process
 Material coupling: stainless steel AISI 316/1.4401

TYPE DF: COUPLER WITH FIXED FLANGE IN COMPLIANCE WITH EN/DIN

ND	Inch	Welding neck flange	D +- 0,1	D 2 min	Reference
20	3/4"	DIN / EN - PN10/16	32,4	90,0	VLDFFDR019DCHEM2
25	1"	DIN / EN - PN10/16	37,3	96,0	VLDFFDR025DCHEM2
32	1.1/4"	DIN / EN - PN10/16	46,0	111,0	VLDFFDR032DCHEM2
40	1.1/2"	DIN / EN - PN10/16	54,0	115,0	VLDFFDR038DCHEM2
50	2"	DIN / EN - PN10/16	63,8	122,0	VLDFFDR050DCHEM2
65	2.1/2"	DIN / EN - PN10/16	76,5	125,0	VLDFFDR063DCHEM2
80	3"	DIN / EN - PN10/16	92,2	132,0	VLDFFDR075DCHEM2
100	4"	DIN / EN - PN10/16	120,3	137,0	VLDFFDR100DCHEM2



Coupling standard: EN 14420-7 / DIN 2828
 Flange standard: EN 1092-1 / 11 B1; DIN 2633 form C PN10/16
 Incorporated flange gasket during the lining process
 Material coupling: stainless steel AISI 316/1.4401



SERRATED HOSE SHANK WITH LOCKING RING

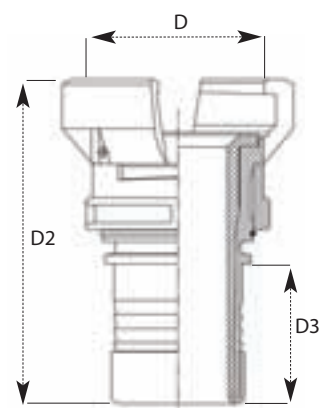
ND	Inch	For hose mm	D	D 2 min	D3 min	Reference
40	1.1/2"	38	55,0	104,0	35,5	RGSG038PTFE
50	2"	50	69,0	135,0	57,0	RGSG050PTFE
50	2"	55	69,0	115,0	46,0	RGSG055PTFE
65	2.1/2"	65	84,0	129,0	51,5	RGSG065PTFE
80	3"	75	103,0	169,0	77,0	RGSG075PTFE
80	3"	90	103,0	150,0	70,0	RGSG090PTFE
100	4"	100	123,0	182,0	85,0	RGSG100PTFE

Coupling standard: NF E 29-572

Assembly: band clamps, ferrules, safety clamps

Incorporated seal during the lining process

Material coupling: stainless steel AISI 316 / 1.4401



MALE THREADED

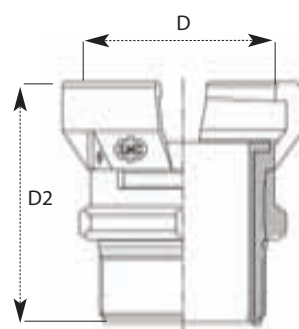
ND	Inch	Thread EN ISO 228-1	D	D 2 min	Reference
40	1.1/2"	G 1.1/2	55,0	75,0	RGMG038CHEM2
50	2"	G 2	69,0	90,0	RGMG050CHEM2
65	2.1/2"	G 2.1/2	69,0	90,0	RGMG065CHEM2
80	3"	G 3	84,0	109,0	RGMG080CHEM2
100	4"	G 4	103,0	109,0	RGMG100CHEM2

Coupling standard: EN 14420-8 / NF E 29-572

Male thread EN ISO 228-1 BSP

Incorporated seal during the lining process

Material coupling: stainless steel AISI 316 / 1.4401



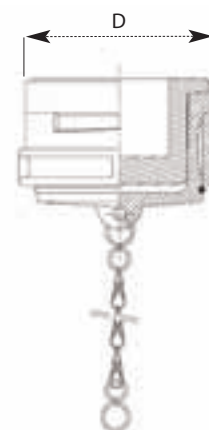
PLUG WITH LOCKING RING

ND	Inch	D	Reference
40	1.1/2"	54,0	RGPG038CHEM2
50	2"	68,0	RGPG050CHEM2
50	2.1/2"	68,0	RGPG065CHEM2
65	3"	83,0	RGPG080CHEM2
80	4"	101,0	RGPG100CHEM2

Coupling standard: EN 14420-8 / NF E 29-572

Incorporated seal during the lining process

Material coupling: stainless steel AISI 316 / 1.4401



CHEMALINE 2000

TW COUPLINGS
EN 14420-6 / DIN 28450

TYPE MKST: FEMALE PART WITH LOCKING RING AND SMOOTH HOSE SHANK

ND	Inch	For hose mm	D 1 min	D 2 min	Monoblock	Reference
50	2"	38	92,0	34,0	No	MKSTRR038050CHEM2
50	2"	50	75,0	40,0	Yes	MKSTRR050CHEM2
80	3"	50	112,0	40,0	No	MKSTRR050080CHEM2
80	3"	75	102,0	56,0	Yes	MKSTRR080CHEM2

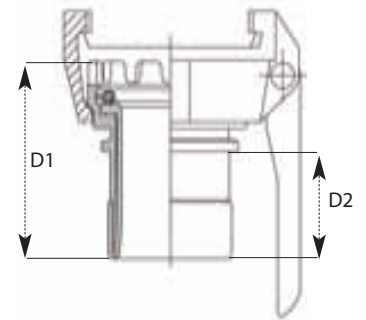
Coupling standard: EN 14420-6 / DIN 28450

Shank standard: EN 14420-2 / DIN 2817

Assembly: RK safety clamps EN 14420-3/ DIN 2817, FLEXOLINE safety clamps (see cat. chapter D)

Material seal: closed envelope seal PTFE / FPM

Material coupling: stainless steel AISI 316 / 1.4408



TYPE VKST: MALE PART WITH LOCKING RING AND SMOOTH HOSE SHANK

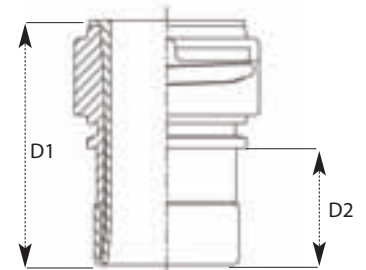
ND	Inch	For hose mm	D 1 min	D 2 min	Monoblock	Reference
50	2"	38	90,0	34,0	No	VKSTR038050CHEM2
50	2"	50	87,0	40,0	Yes	VKSTR050CHEM2
80	3"	50	108,0	40,0	No	VKSTR050080CHEM2
80	3"	75	115,0	56,0	Yes	VKSTR080CHEM2

Coupling standard: EN 14420-6 / DIN 28450

Shank standard: EN 14420-2 / DIN 2817

Assembly: RK safety clamps EN 14420-3/ DIN 2817, FLEXOLINE safety clamps (see chapter D)

Material coupling: stainless steel AISI 316 / 1.4408



TYPE MKV: CROWN PART FEMALE THREADED

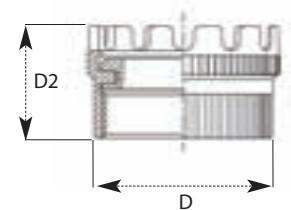
ND	Inch	Thread EN ISO 228-1	Thread seal	D 0 mm 0,5 mm	D2 min	Reference
50	2"	G 2	PTFE	69,7	40,5	MKVR050CHEM2
80	3"	G 3	PTFE	101	52,5	MKVR080CHEM2

Coupling standard: EN 14420-6 / DIN 28450

Material seal: closed envelope seal PTFE / FPM

Incorporated thread seal during the lining process

Material coupling: stainless steel AISI 316 / 1.4401



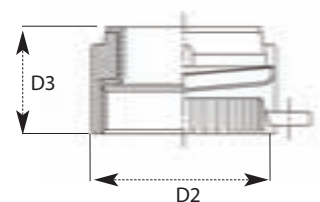
TYPE VK: MALE PART - FEMALE THREADED WITH THREAD SEAL

ND	Inch	Thread EN ISO 228-1	Thread seal	D 2 +/- 0,5 mm	D 3 min +/- 1mm	Reference
50	2"	G 2	PTFE	67,0	39,0	VKR050CHEM2
80	3"	G 3	PTFE	100,0	48,0	VKR080CHEM2

Coupling standard: EN 14420-6 / DIN 28450

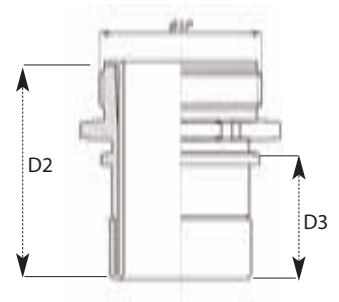
Incorporated thread seal during the lining process

Material coupling: stainless steel AISI 316 / 1.4401



MALE THREADED WITH SMOOTH HOSE SHANK

ND	Inch	For hose mm	Thread EN ISO 228-1	D 2 min	D3 min	Reference
20	3/4"	19	G 3/4	62,0	34,0	RRM019CHEM2
25	1"	25	G 1	63,0	34,0	RRM025CHEM2
32	1.1/4"	32	G 1.1/4	63,5	34,0	RRM032CHEM2
40	1.1/2"	38	G 1.1/2	66,5	34,0	RRM038CHEM2
50	2"	50	G 2	75,5	40,0	RRM050CHEM2
65	2.1/2"	63	G 2.1/2	94,5	52,0	RRM063CHEM2
75	3"	75	G 3	97,5	56,0	RRM075CHEM2
100	4"	100	G 4	131,0	80,5	RRM100CHEM2



Coupling standard: EN 14420-8/ DIN 2817

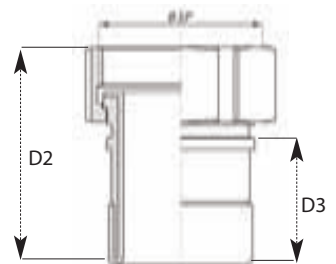
Shank standard: EN 14420-2 / DIN 2817

Assembly: RK safety clamps EN 14420-3 / DIN 2817, FLEXOLINE safety clamps (see chapter D)

Material coupling: stainless steel AISI 316 / 1.4401

FEMALE THREADED WITH SMOOTH HOSE SHANK

ND	Inch	For hose mm	Thread EN ISO 228-1	D 2 min	D3 min	Reference
20	3/4"	19	G 3/4	59,0	34,0	RRV019CHEM2
25	1"	25	G 1	62,0	34,0	RRV025CHEM2
32	1.1/4"	32	G 1.1/4	62,0	34,0	RRV032CHEM2
40	1.1/2"	38	G 1.1/2	67,0	34,0	RRV038CHEM2
50	2"	50	G 2	78,0	40,0	RRV050CHEM2
65	2.1/2"	63	G 2.1/2	93,0	52,0	RRV063CHEM2
75	3"	75	G 3	101,0	56,0	RRV075CHEM2
100	4"	100	G 4	139,0	80,5	RRV100CHEM2



Coupling standard: EN 14420-8/ DIN 2817

Shank standard: EN 14420-2 / DIN 2817

Assembly: RK safety clamps EN 14420-3 / DIN 2817, FLEXOLINE safety clamps (see chapter D)

Material coupling: stainless steel AISI 316 / 1.4401

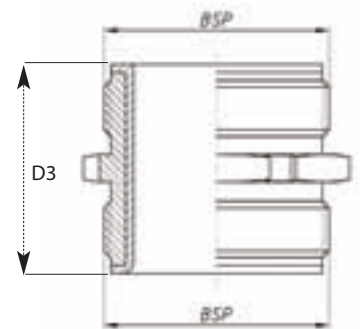
Incorporated seal during the lining process

CHEMALINE 2000

NIPPLES

MALE - MALE DOUBLE NIPPLE

Male thread EN ISO 228-1	Male thread EN ISO 228-1	SW mm	Total lenght coupling	D3 min	Reference
G 3/4	G 3/4	24	27	34.0	RUMM019019CHEM2
G 1	G 1	37	37	34.0	RUMM025025CHEM2
G 1.1/4	G 1.1/4	46	39	34.0	RUMM032032CHEM2
G 1.1/2	G 1.1/2	55	45	34.0	RUMM038038CHEM2
G 2	G 2	65	50	40.0	RUMM050050CHEM2
G 2.1/2	G 2.1/2	85	57	52.0	RUMM063063CHEM2
G 3	G 3	95	56	56.0	RUMM075075CHEM2
G 4	G 4	124	60	80.5	RUMM100100CHEM2

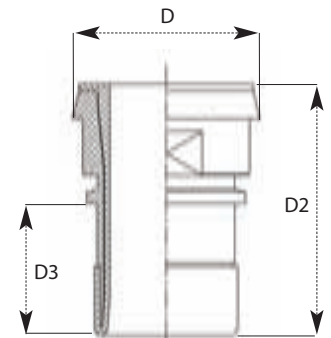


Material coupling: stainless steel AISI 316 / 1.4401



FEMALE COUPLING WITH SMOOTH HOSE SHANK WITHOUT NUT

ND	Inch	For hose mm	D	D 2 min	D 3 min	Reference
20	3/4"	19	36,0	68,0	34,0	DKVS019CHEM2
25	1"	25	44,0	70,0	34,0	DKVS025CHEM2
32	1.1/4"	32	50,0	70,0	34,0	DKVS032CHEM2
40	1.1/2"	38	56,0	70,0	34,0	DKVS038CHEM2
40	1.1/2"	40	56,0	70,0	34,0	DKVS040CHEM2
50	2"	50	68,0	78,0	40,0	DKVS050CHEM2
65	2.1/2"	63	86,0	103,0	52,0	DKVS063CHEM2
65	2.1/2"	65	86,0	103,0	52,0	DKVS065CHEM2
80	3"	75	100,0	121,0	56,0	DKVS075CHEM2
80	3"	80	100,0	121,0	56,0	DKVS080CHEM2
100	4"	100	121,0	140,0	80,5	DKVS100CHEM2



Coupling standard: DIN 11851

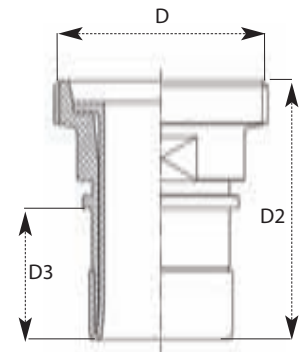
Shank standard: EN 14420-2 / DIN 2817

Assembly: RK safety clamps EN 14420-3/ DIN 2817, FLEXOLINE safety clamps (see chapter D)

Material coupling: stainless steel AISI 316 / 1.4401

MALE COUPLING WITH SMOOTH HOSE SHANK WITHOUT NUT

ND	Inch	For hose mm	D Thread DIN 405/1	D 2 min	D 3 min	Reference
20	3/4"	19	Rd 44 x 1/6"	74,0	34,0	DKM019CHEM2
25	1"	25	Rd 52 x 1/6"	74,0	34,0	DKM025CHEM2
32	1.1/4"	32	Rd 58 x 1/6"	74,0	34,0	DKM032CHEM2
40	1.1/2"	38	Rd 65 x 1/6"	74,0	33,5	DKM038CHEM2
40	1.1/2"	40	Rd 65 x 1/6"	74,0	33,5	DKM040CHEM2
50	2"	50	Rd 78 x 1/6"	80,5	40,0	DKM050CHEM2
65	2.1/2"	63	Rd 95 x 1/6"	107,0	52,0	DKM063CHEM2
65	2.1/2"	65	Rd 95 x 1/6"	107,0	52,0	DKM065CHEM2
80	3"	75	Rd 110 x 1/6"	127,5	56,0	DKM075CHEM2
80	3"	80	Rd 110 x 1/4"	127,5	56,0	DKM080CHEM2
100	4"	100	Rd 130 x 1/4"	144,0	80,5	DKM100CHEM2



Coupling standard: DIN 11851

Shank standard: EN 14420-2 / DIN 2817

Assembly: RK safety clamps EN 14420-3/ DIN 2817, FLEXOLINE safety clamps (see chapter D)

Material coupling: stainless steel AISI 316 / 1.4401

Incorporated seal during the lining process

FEMALE COUPLING WITH SMOOTH HOSE SHANK WITHOUT NUT

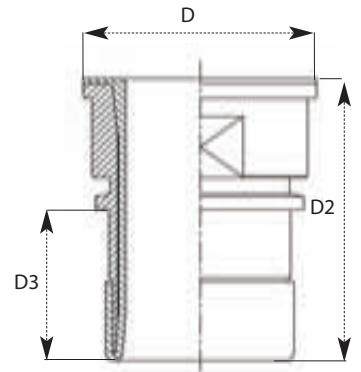
ND	Inch	For hose mm	D	D 2 min	D 3 min	Reference
1"	25	25	35,5	59,0	34,0	SMSV025DZMCHEM2
1.1/4"	32	32	42,5	59,0	34,0	SMSV032DZMCHEM2
1.1/2"	38	38	55,0	67,5	34,0	SMSV038DZMCHEM2
2"	51	50	65,0	75,6	40,0	SMSV050DZMCHEM2
2.1/2"	63,5	63	80,0	100,0	52,0	SMSV063DZMCHEM2
3"	76	75	93,0	115,0	56,0	SMSV075DZMCHEM2
4"	101,6	100	127,0	122,0	80,5	SMSV100DZMCHEM2

Coupling standard: SMS 1145

Shank standard: EN 14420-2 / DIN 2817

Assembly: RK safety clamps EN 14420-3/ DIN 2817, FLEXOLINE safety clamps (see cat. chapter D)

Material coupling: stainless steel AISI 316 / 1.4401



MALE COUPLING WITH SMOOTH HOSE SHANK

ND	Inch	For hose mm	Thread DIN 405/1	D 2 min	D 3 min	Reference
1"	25	25	RD 40 x 1/6"	68,0	34,0	SMSM025DCHEM2
1.1/4"	32	32	RD 48 x 1/6"	71,0	34,0	SMSM032DCHEM2
1.1/2"	38	38	RD 60 x 1/6"	80,0	33,5	SMSM038DCHEM2
2"	51	50	RD 70 x 1/6"	87,0	40,0	SMSM050DCHEM2
2.1/2"	63,5	63	RD 85 x 1/6"	111,0	52,0	SMSM063DCHEM2
3"	76	75	RD 98 x 1/6"	124,5	56,0	SMSM075DCHEM2
4"	101,6	100	RD 132 x 1/6"	150,0	80,5	SMSM100DCHEM2

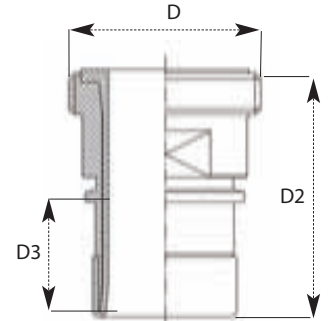
Coupling standard: SMS 1145

Shank standard: EN 14420-2 / DIN 2817

Assembly: RK safety clamps EN 14420-3/ DIN 2817, FLEXOLINE safety clamps (see cat. chapter D)

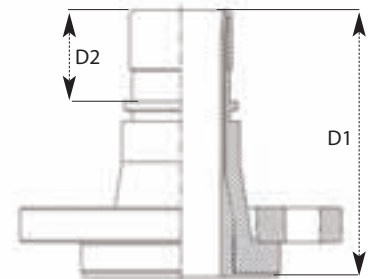
Material coupling: stainless steel AISI 316 / 1.4401

Incorporated seal during the lining process



SWIVEL FLANGE COUPLING WITH SMOOTH HOSE SHANK

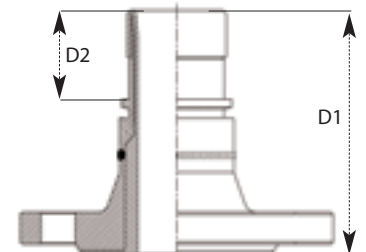
ND	Inch	Flange pressure class	For hose mm	D1	D2	Reference
20	3/4"	EN-DIN PN 10/16	19	90,0	34,0	RRFLG019CHEM2
25	1"	EN-DIN PN 10/16	25	90,0	34,0	RRFLG025CHEM2
32	1.1/4"	EN-DIN PN 10/16	32	90,0	34,0	RRFLG032CHEM2
40	1.1/2"	EN-DIN PN 10/16	38	91,0	33,5	RRFLG038CHEM2
50	2"	EN-DIN PN 10/16	50	107,0	40,0	RRFLG050CHEM2
65	2.1/2"	EN-DIN PN 10/16	63	120,0	52,0	RRFLG063CHEM2
80	3"	EN-DIN PN 10/16	75	129,0	56,0	RRFLG075CHEM2
100	4"	EN-DIN PN 10/16	100	169,0	80,5	RRFLG100CHEM2



Swivel flange: DIN 2673 PN10, DIN 2674 PN16 / EN 1092-1 -04 A
 Swivel flange according to ASTM A 182 150/300 lbs on request available
 Shank standard: EN 14420-2 / DIN 2817
 Material coupling: stainless steel AISI 316 / 1.4401
 Incorporated flange gasket during the lining process

FIXED FLANGE COUPLING WITH SMOOTH HOSE SHANK

ND	Inch	Flange pressure class	For hose mm	D1	D2	Reference
20	3/4"	EN-DIN PN 10/16	19	88,0	34,0	RRFVG019CHEM2
25	1"	EN-DIN PN 10/16	25	88,0	34,0	RRFVG025CHEM2
32	1.1/4"	EN-DIN PN 10/16	32	90,0	34,0	RRFVG032CHEM2
40	1.1/2"	EN-DIN PN 10/16	38	93,0	34,0	RRFVG038CHEM2
50	2"	EN-DIN PN 10/16	50	107,0	40,0	RRFVG050CHEM2
65	2.1/2"	EN-DIN PN 10/16	63	120,0	52,0	RRFVG063CHEM2
80	3"	EN-DIN PN 10/16	75	129,0	56,0	RRFVG075CHEM2
100	4"	EN-DIN PN 10/16	100	171,0	80,5	RRFVG100CHEM2



Welding neck flange: DIN 2632 PN10, DIN 2633 PN16; EN 1092-11B
 ASTM A 182 150/300 lbs on request available
 Shank standard: EN 14420-2 / DIN 2817
 Material coupling: stainless steel AISI 316 / 1.4401
 Incorporated flange gasket during the lining process